

For Commercial Applications

Job Name _____

Item Designation _____

Job Location _____

Contractor _____

Engineer _____

Representative _____

Inlet: P-1/2__ P-3/4__

Finish: CH__ BR__ PB__ AL__

For Non Freezing Areas

Woodford Model B26 Backflow Protected Wall Faucet

The Model B26 is a backflow protected wall faucet is intended for irrigation purposes and designed for use in mild climate areas. A Model 26 faucet is housed in a flush mounted, tamper resistant brass wall box that is designed to blend in with modern architecture for installation on homes, service stations, churches, motels, drive-in restaurants, etc.

Features:

- Red Brass head, box and door
 - Optional: Anodized Aluminum (AL) box and door
- One piece box construction
- EPDM Packing
- Adjustable brass packing nut
- Standard "O" size valve seat washer
- Polycarbonate wheel handle and loose tee key
 - Optional: Metal wheel handle
- 2 inlet options

Specifications:

PATENTED HIGH FLOW DOUBLE CHECK BACKFLOW PREVENTER

- NIDEL® Model 50HF with 3/4 inch male hose thread
- ASSE Standard 1052 approved
- Field Testable
- Two Independent Check Valves
- Drains automatically when hose is removed
- No spray back

• **Maximum Working Pressure:** 125 p.s.i.

• **Maximum Temperature:** 120° F

Specify as follows:

Wall faucet shall be a box type Woodford Model B26 for non-freezing areas with ASSE 1052 approved NIDEL® Model 50HF high flow double check backflow preventer. 3/4" hose connection (specify type of inlet). Exterior finish to be Chrome Plated (options: Rough Brass, Polished Brass or Anodized Aluminum). Loose tee key to be furnished with each faucet. Intended for irrigation purposes. Inlet Type _____



Model & Inlet

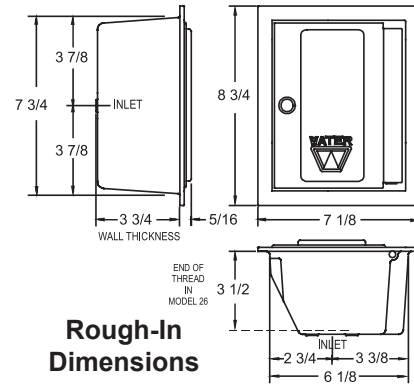
B26P-1/2 1/2" FPT
B26P-3/4 3/4" FPT

Exterior Finish:

Standard - Chrome (CH)
Optional - Rough Brass (BR),
Polished Brass (PB) or
Anodized Aluminum (AL)



Optional Tee Key
Included



WOODFORD MANUFACTURING COMPANY, LLC

2121 WAYNOKA ROAD
COLORADO SPRINGS, CO 80915
Phone (800) 621-6032
Website: www.woodfordmfg.com
Email: sales@woodfordmfg.com